

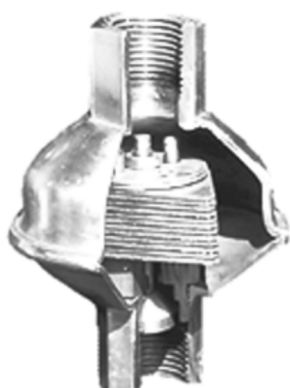
## Type BPZ

Steam trap type BPZ is thermostatic steam trap with bimetallic plates. This bimetallic steam trap comes with screw connection, sizes: R1/2", R3/4 and R1, with the nominal pressure PN16 or PN25.

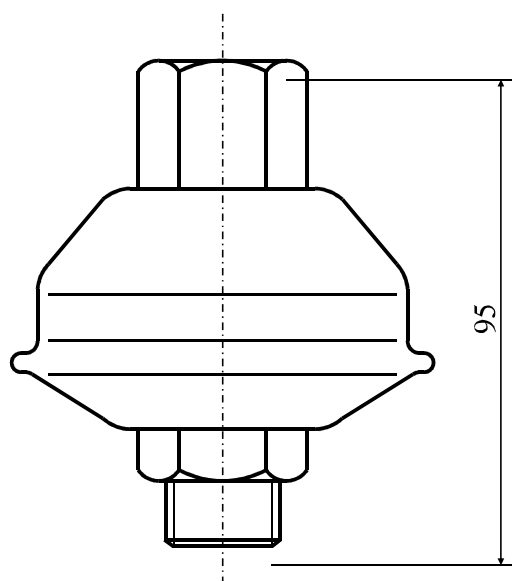
BPZ type is entirely made of stainless steel, so it has a long life of impeccable work. It comes in compact welded housing. This steam trap has a small mounting dimensions and light weight. It is suitable for steam line drain and the drain of consumers who are not affected with undercooling of the condensate.

This steam trap can be installed in any position. If installed vertically, after the system stop, condensate can freely drain from the installation and steam trap housing, so there is no danger of frost. The model BPZ, will not suffer breakage of housing or internal parts due to freezing, if it is exposed to the temperatures down to -5°C.

At the customer request it is possible to adjust for other mounting positions and size of connections.



In the following table (left) are given values of capacity for steam traps type BPZ, related to the working pressure.



Like the all thermostatic steam traps, BPZ drain condensate with undercooling from 5 to 30°C, depending on customer requirements. BPZ type steam trap is recommended for drainage of steam line with superheated steam and drainage of superheated steam consumers. It is suitable for installation outside of buildings because it allows condensate to flow out of the housing after the plants stopping / pausing (do not keep the condensate in the housing).

