

Float ball steam trap

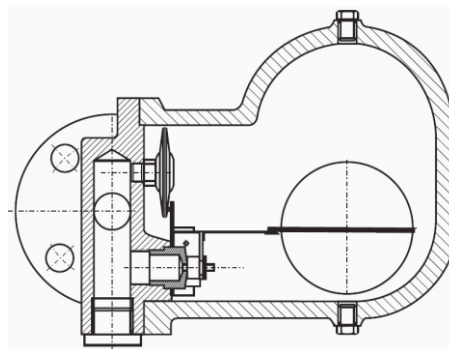
Type OKP PN6 PN16 PN25

Float ball steam trap, type OKP comes in two variations: flanged connection from DN15 up to DN50 and with a screwed connection of R1 / 2", R3/4" and R1." These steam traps can be produced for PN6, PN16 and PN25 nominal pressure.

This type of steam trap, must be fixed in position shown on drawing (right). OKP type are supplied with thermo capsule type TK-M, which allows steam traps to discharge non-condensing gases. This is especially important when starting the installation, when the amount of non-condensing gases are largest.

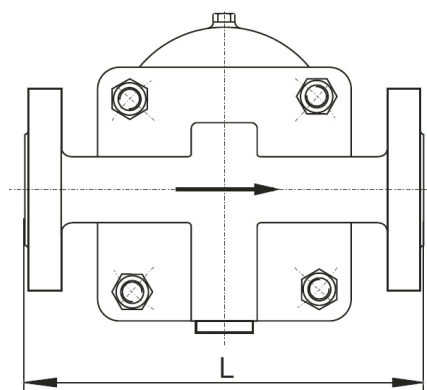
All internal parts are manufactured odvajca stainless steel, witch enables the maximum lifespan. The housing is made of cast iron or ductile iron.

In addition to standard version of OKP type (shown in the picture), we have developed a whole range of such separators, but with different position of connections to meet our customers requests.



The cross-section of OKP steam trap

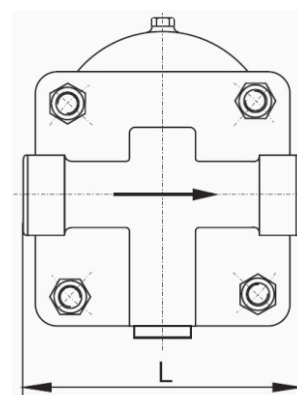
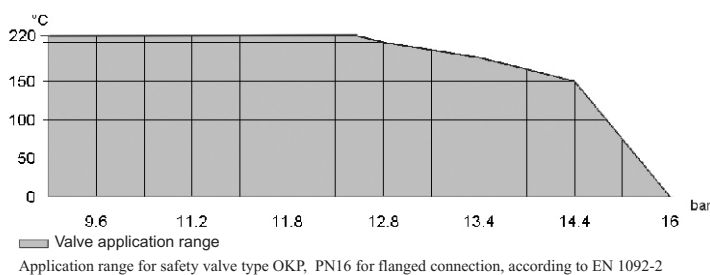
	L [mm]	m [kg]
Dn15	215	9,5
DN20	215	10,3
DN25	215	11,3
DN32	215	12
DN40	325	22,5
DN50	325	24
R1/2"	120	8,5
R3/4"	120	8,5
R1"	120	8,5



Steam trap OKP with flanged connection

Product: Float ball steam trap, type OKP PN16

Part	Material
Housing	EN-GJL-250 (DIN GG-25)
Cover	EN-GJL-250 (DIN GG-25)
Mechanism	1.4301
Float ball	1.4301



Steam trap OKP with screw connection

Capacity for OKP type, depending on the available pressure difference is given in the diagram on the technical sheet for type OKP - E.