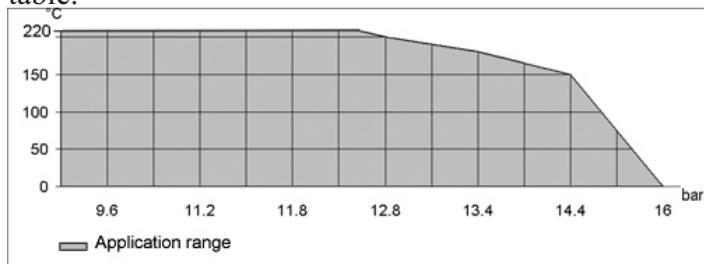


# Inverted bucket steam traps

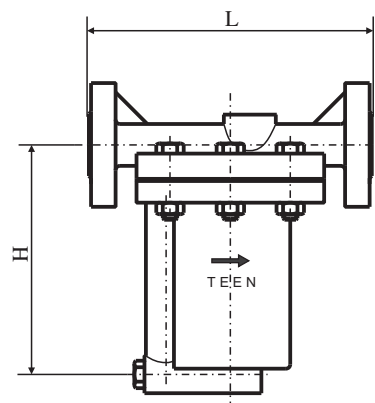
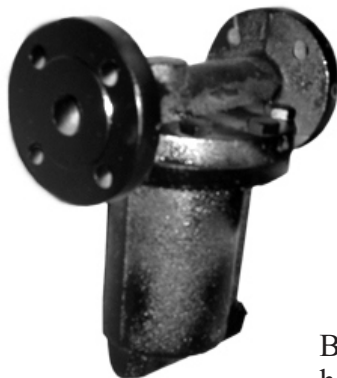
## Type OKZ PN6/PN16

We produce the inverted bucket steam traps type OKZ for nominal pressures PN 6 and PN 16. These traps have automatic air vent on the start-up. All internal parts are made of stainless steel and encased in a cast (cast iron or ductile iron). Dimensions separator according to the diameter are given in the table.



Application range for OKZ type steam traps, PN16 for flanged connection, according to EN 1092-2

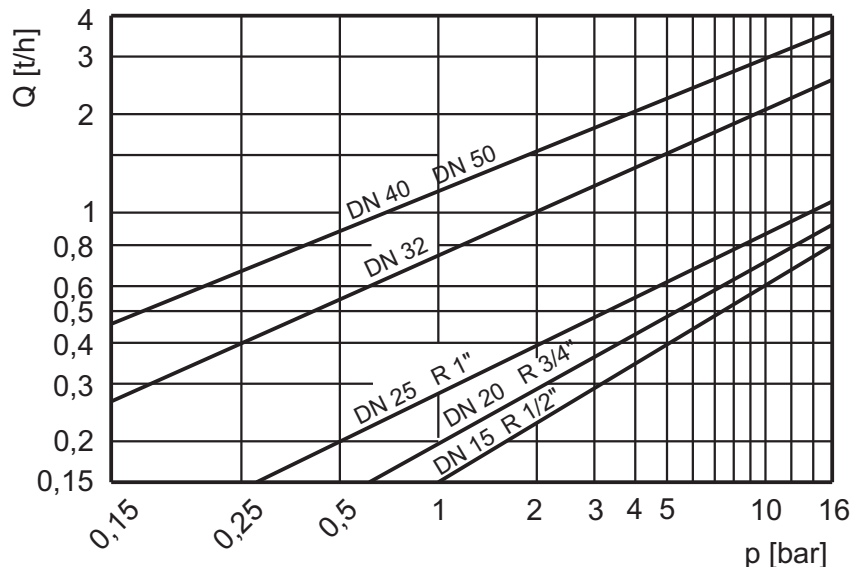
	L [mm]	H [mm]	m [kg]
DN15	195	175	6,9
DN20	225	180	9,5
DN25	225	210	10,5
DN32	245	225	21
DN40	275	275	23
DN50	275	275	24,5
R1/2"	140	175	6
R3/4"	160	180	8,3
R1"	160	210	8,7



OKZ with flange connection

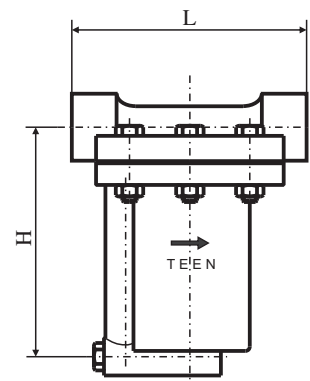
Steam trap size depends from the required capacity and available pressure difference before and after the steam trap. Maximum capacity depending on the pressure difference before and after the steam trap is shown on the included diagram (down).

On customer request we can produce variation with a higher capacity.



Because of retaining of the condensate in the housing after system stop, at low temperatures there is danger of freezing and breaking the housing. Because of this they are not recommended for outdoor installation.

In case of cancellation, inverted bucket steam traps usually remain in the fully open position.



OKZ with screw connection

# Inverted bucket steam traps

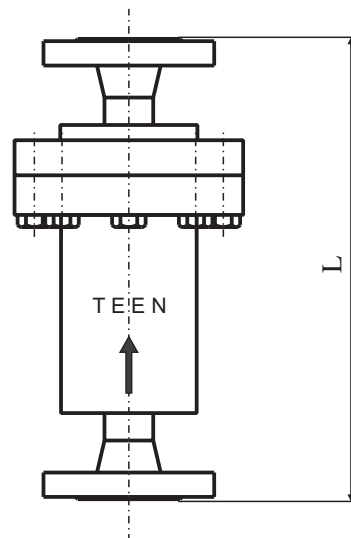
## Type OKZ-VP NP25/NP40

Steam traps type OKZ-VP are made for nominal pressure PN 25 and PN40. These steam traps have automatic air vent on the start-up. All internal parts are made of stainless steel, a steel housing is made by welding. Dimensions of this steam traps, according to the diameter are given in the table.

For special applications we produce type OKZ-VP with stainless steel housing.

DN	L [mm]
DN15	310
DN20	310
DN25	310
DN32	330
DN40	350
DN50	350

Size choice depends on the required capacity and available steam trap pressure difference before and after the steam trap. Maximum capacity depending on the pressure difference before and after the steam trap are given in the diagram.



Steam traps type OKZ - VP are designed for operation at high pressure and the condensate discharge when the power supply steam is superheated. These steam traps are not designed for drainage of the steam line, especially if the steam line is for superheated steam.

This type of steam traps must be mounted in position as shown, and the entrance to the separator through the lower port.

In addition to the basic version separator OKZ-VP we also produce traps type OKZ-V that has the same connection flanges position as the OKZ type of steam traps, but is designed for pressures PN 25 and PN 40.

