

# Thermostatic steam trap

## Type TKL - M / TKL - MG

Thermostatic steam traps type TKL - M and TKL - MG have screw connection of R1 / 2 ", R3 / 4" and R1 ", they have nominal pressure PN16.

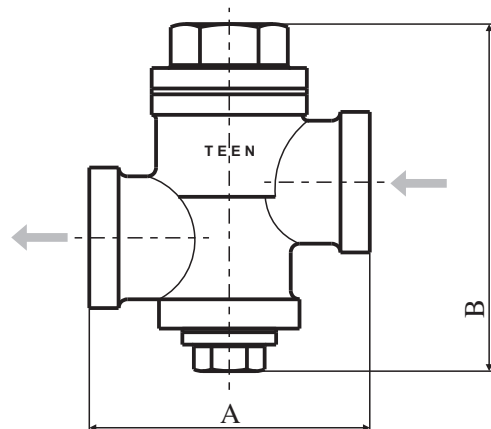
At the customer request, TKL-M can come with stainer integrated within of the housing of the steam trap.

Replaceable thermostatic element is inside the steam trap, it is a thermostatic capsule type TK-M.

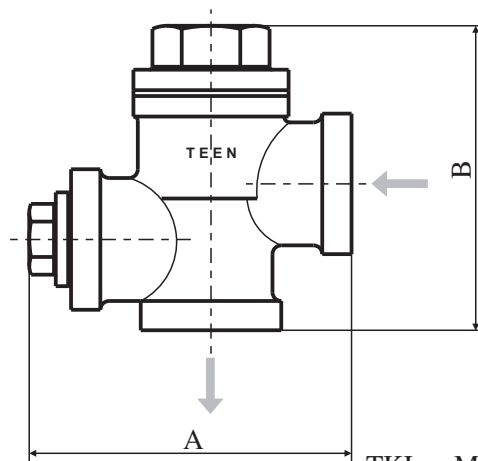
This steam trap discharges the condensate with subcooling from 10 to 20°C. In this way it is exploited the heat of condensate and it is decreased the amount of flash steam. Typically the steam traps type TKL - M and TKL - MG used in heating systems, cooking food duplicates in hospitals and hotels, the smaller diameter pipelines steam drainage etc.

Steam trap has a folding housing, so it allows replacement of thermostatic capsule. This significantly increases life time of these steam traps.

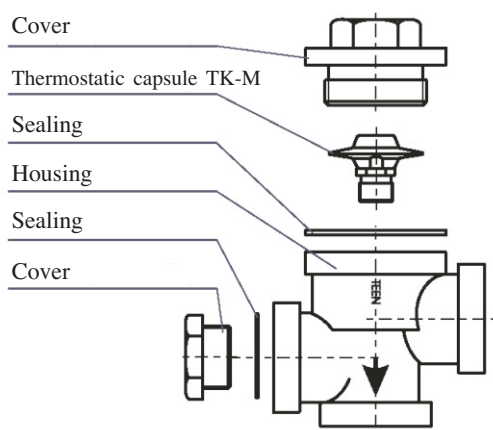
At the customer request, we can deliver this type of steam trap to release condensate with 40 °C of subcooling.



TKL - M



TKL - MG



Housing material is cast iron (EN-GJL-250). Internal parts are made of stainless steel (1.4301). Seal of the housing is achieved Klingerit, and sealing the thermostatic capsule with Teflon.

